

High-capacity revolving door

ASSA ABLOY RD700

(3-wing)

ASSA ABLOY
Entrance Systems

Experience a safer
and more open world



Keep high-volume pedestrian traffic flowing smoothly with the large compartments of the ASSA ABLOY RD700 revolving door.

Open up to a world of opportunity

The ASSA ABLOY RD700 revolving door provides a wide and welcoming entrance that eliminates draughts and safeguards indoor climate against unwanted air infiltration while reducing energy consumption and costs. Regular maintenance, additional sensors, and add-ons can further improve sustainability while prolonging the door's life.

Uninterrupted high-capacity access, performance and safety

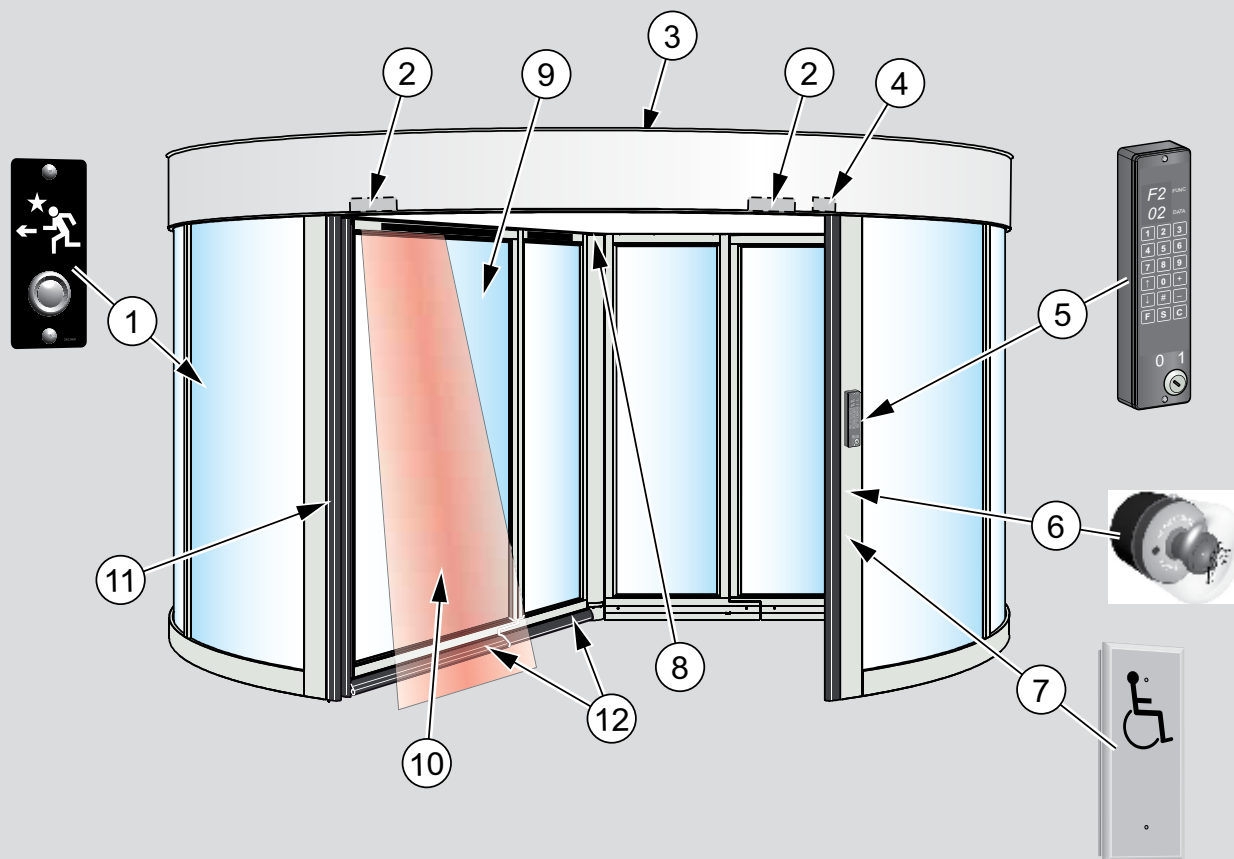
Thanks to the 3-wing configuration, the large compartments of the RD700 can comfortably accommodate wheelchairs, luggage trolleys, shopping carts and so on.

The RD700 range is designed to handle high volumes of pedestrian traffic while ensuring the highest safety standards: during operation, the door will not be affected or interrupted by winds or users pushing the door wings. In emergencies, the doors will release immediately to allow escape.

Design to your needs

The RD700 range is available in different diameters and comes in a standard counterclockwise rotation (with the option of a clockwise rotation). The durable casing of the RD700 comes prefabricated with aluminum extrusions and clear, curved laminated glass in 4 + 4 mm, along with clear laminated flat glass in 3 + 3 mm. Other glass types are available upon request, and the ceiling consists of white laminated panels.





Additional features:

1. Push-button to rotate the door 360°
2. Concealed activation units
3. Dust protection roof
4. Vertical presence sensor above the right entrance post
5. Program Control Device (PCD) with key switch
6. Emergency stop button
7. Push-button for reduced speed rotation
8. CDC main control unit
9. Door leaves with break-out function
10. Touchless presence sensor
11. Vertical pressure sensitive safety edge
12. Horizontal pressure sensitive safety edges

A control system for optimal safety

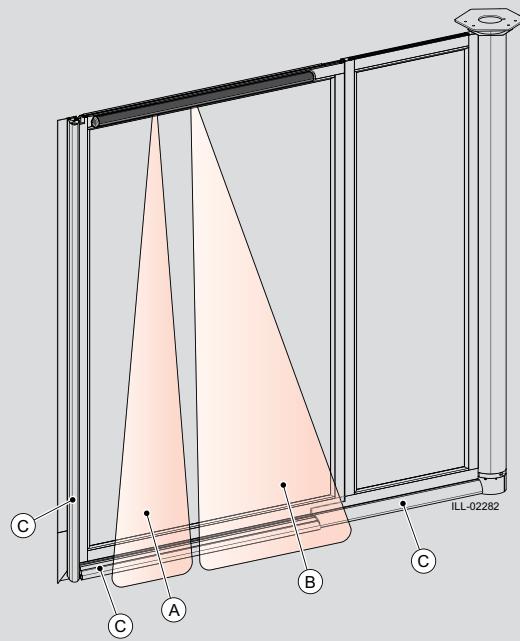
ASSA ABLOY's unique CDC control system is designed to ensure the lowest operating and maintenance costs while providing optimal safety. The system employs automatic diagnostics stored in an event log. The combined control/drive system is located on the inside of the fascia to reduce stress on the unit — leading to fewer breakages and fewer maintenance checks.

Prepared for emergencies

The revolving door can be directly linked to the fire alarm system. In the case of a fire alarm or power failure, the doors will automatically stop rotating and release the door leaves – providing a clear and unimpeded evacuation path.

Safety is foremost

The system is designed for touchless and supervised safety and is to be placed and fixed directly onto a finished floor surface. The ASSA ABLOY RD700 is tested by authorized laboratories to meet EN 16005 requirements and, if an obstacle blocks the door, the rotation will cease.



Additional safety features*:

- Touchless safety sensors placed horizontally on the door leaves stops the door (A) and slows down the door speed (B)
- Compressible vertical/horizontal safety switches placed on the leading edges of the rotating section stop the rotation of the door (C)
- Emergency stop button
- Vertical presence sensor above the right entrance post
- Force-sensitive door leaf
- Active brake
- Active electromechanical brake
- Night Closing Door (NCD) to provide additional security at night or after business hours.

**All ASSA ABLOY RD700 safety systems have been tested and certified by authorized/accredited laboratories. National standards may influence the choice of safety functions.*

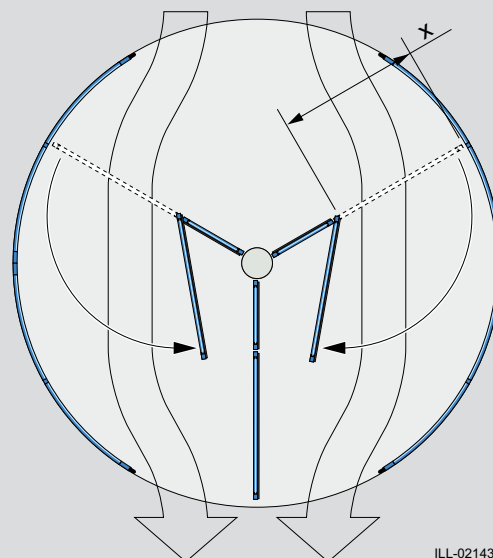
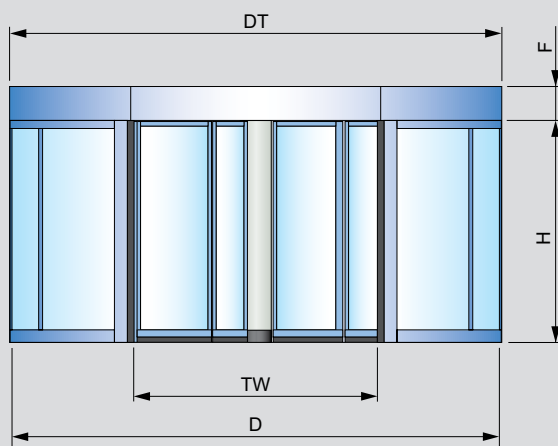
Adjustable speed control

The maximum rotation speed is factory preset but can be adjusted to suit different applications and security requirements. This also means the door cannot be manually rotated faster than the preset limit. The RD700 features adjustable low speed and high-speed settings according to EN 16005 requirements.

A range of operating modes available

With the password-protected program selector, choose between the following operating modes:

- Autostart
- Continuous rotation on low speed, automatic start-up to high speed when impulse is activated
- Manual override, forward or reverse
- Closed (locked)
- Summer position
- Real-time operation



ILL-02143

Product name	DT (outer)	D (inner)	D NCD (outer)	TW	X
ASSA ABLOY RD700-42	4290	4200	4360	1991	1142
ASSA ABLOY RD700-48	4890	4800	4960	2292	1332
ASSA ABLOY RD700-54	5490	5400	5560	2592	1510
ASSA ABLOY RD700-62	6290	6200	6360	2992	1777

Standard equipment

- Curved glass
4 + 4 mm clear laminated
- Flat glass
3 + 3 mm clear laminated
- Other types of glass available
- Door sections of aluminium profiles
- Door leaves with break-out function
- Ceiling of white laminated panels
- Dust protection roof
- CDC control unit built-in behind the fascia beside the inside entrance
- Built-in activators

Technical specifications

Power supply	230 V, 50Hz, mains fuse max 10 A or 100-120V, 50/60Hz, mains fuse max 16A
Power consumption	400 W /30 W resting
Lighting LED 5 W	75 W
Ambient temperature	-20 to +50°C
ASSA ABLOY RD700 complies with:	
EN 60335-1	
EN 60335-2-103	
EN 61000-6-2	
EN 61000-6-3	
EN ISO 13849-1	
EN 16005	

Rotation speed adjustment

- High speed settings according to EN 16005
- Adjustable low speed

Accessories and options

- ASSA ABLOY activators
- Powder-coated finish (RAL colors)
- Anodizing
- Stainless steel cladding
- Additional emergency stop
- Electro-mechanical lock
- Spotlights or downlights
- Midrails
- Footrails
- Sheet metal sandwich panel instead of glass
- Water-resistant cover
- Internal height non-standard (max. 3000 mm*)
* 2600 for door diameter 6200
- Fascia height non-standard (max. 1250 mm)
- Insulated fascia
- Direction sensing radar
- Clockwise rotation
- Night closing door
- Special load-bearing roof
- Integrated air curtain



CERTIFIERING
KONTROLL



This equipment should be installed, regularly inspected, maintained and serviced by trained and authorized personnel. Preventive maintenance plans are highly recommended for a proper and safe operation. Talk to your ASSA ABLOY Entrance Systems representative to learn more about our service offering!